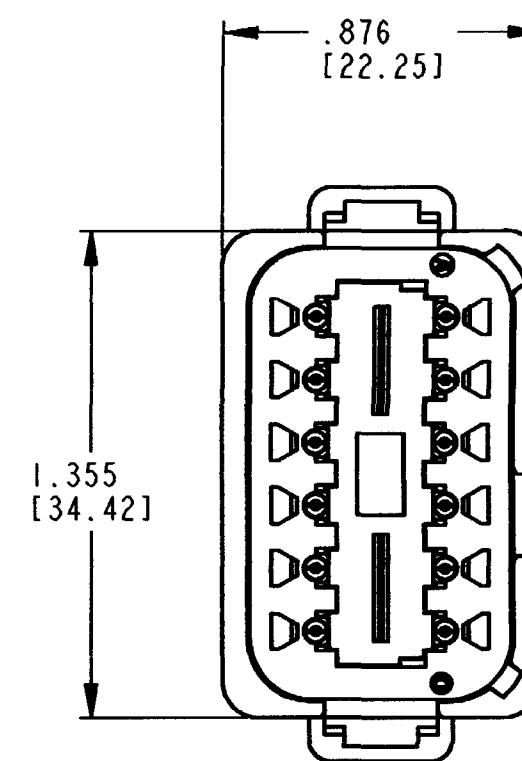
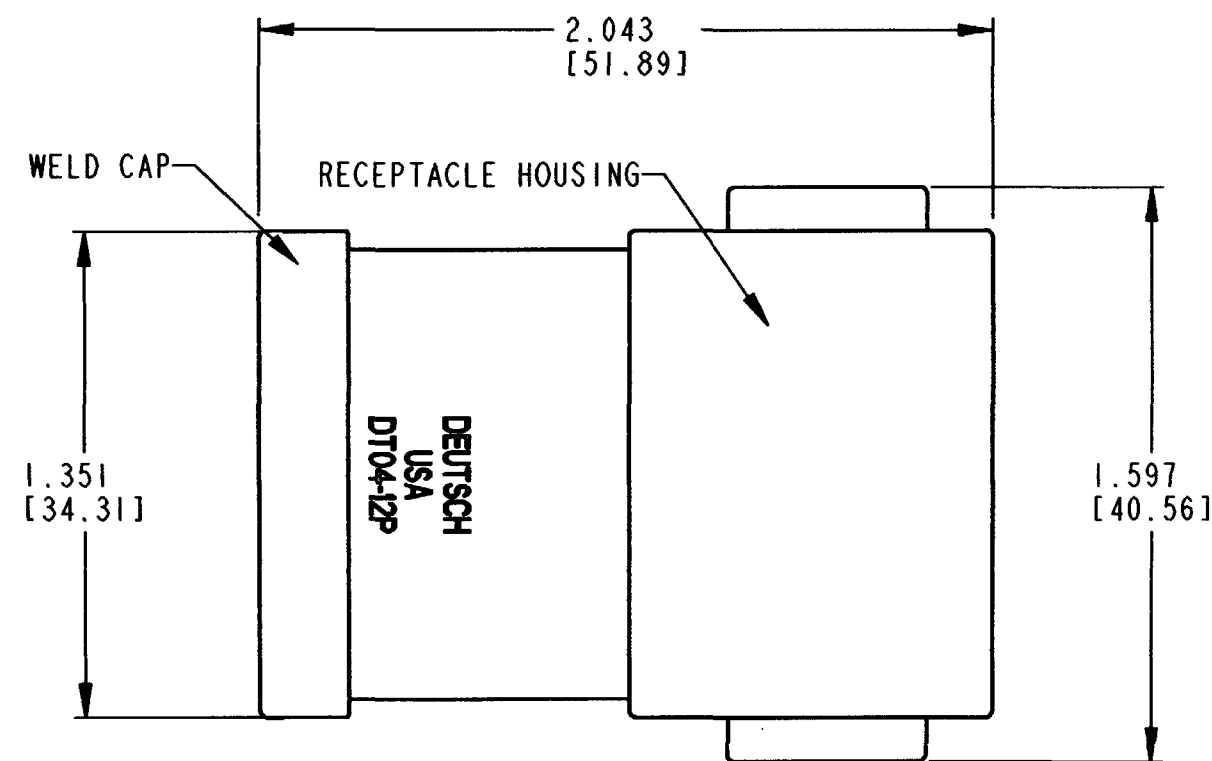
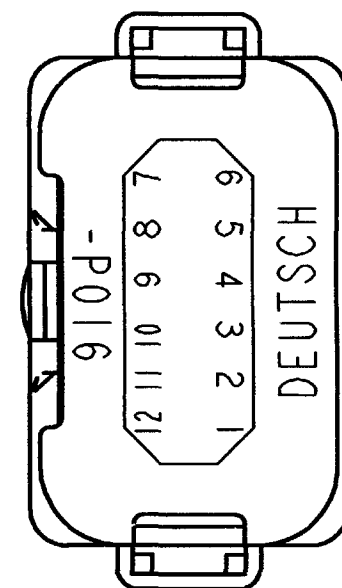


3D VIEW



REV
D DT04-12PA-P016


REVISIONS			
SYM	DESCRIPTION	DATE	APPROVED
A	REVISION PER E.O. P15439	9/29/97	RDR
B	REVISED PER E.O. P15459	10/30/97	JN
C	REVISED PER E.O. P16661	5/16/00	RDR
D	REVISED PER E.O. P20223	5-14-09	RDR

- NOTES:
1. DIMENSIONS ARE IN INCHES [MILLIMETERS].
 2. DIMENSIONS ARE $\pm .025$ [0.63] UNLESS OTHERWISE SPECIFIED.
 3. THIS DT04-12PA-P016 MATES WITH DT06-12SA-**** (**** = ALL MODIFICATIONS). CONSULT FACTORY FOR MODIFICATIONS.
 4. FOR WIRE, CONTACT PERFORMANCE, AND APPLICATION CHARACTERISTICS, SEE ENVELOPE DRAWING 0425-015-0000 AND 0425-017-0000.
 5. THE 12 PIN BUSBAR HAS A MAXIMUM CURRENT RATING OF 78 AMPS, 13 AMPS PER PIN.

SIGNATURE & DATE	
DR	P. BURKE 5/5/00
CHK	P. Burke 5/13/09
PE	A. Messinger 5/13/09
APPD	S. Bond 5/13/09
SCALE	NONE WT

DT 12 WAY RECEPTACLE
KEY ARRANGEMENT -A-
12 PIN BUSBAR-GOLD PLATED
COLOR: GREY

ENVELOPE

EP	MATL. CODE
 3850 INDUSTRIAL AVE. HEMET, CA 92545	
B DT04-12PA-P016	
DWG SIZE	CODE 11139 SHEET OF